



COMPRESSORE SILENZIOSO AUTOMATICO
AUTOMATIC SILENT COMPRESSOR
COMPRESSEUR SILENCIEUX AUTOMATIQUE
AUTOMATISCHE LEISELAUFKOMPRESSOR
COMPRESSORE SILENCIOSO AUTOMATICO

"BLACK WIDOW"

Vertrieb - Distribution

WERTAIR International

Jahnstrasse 13

56235 Ransbach-Baumbach -Germany

Telefono/Phone +49 (0) 2623 900 29-0

Fax +49 (0) 2623 900 299

E-MAIL sales@wertair.com

WEB www.wertair.com

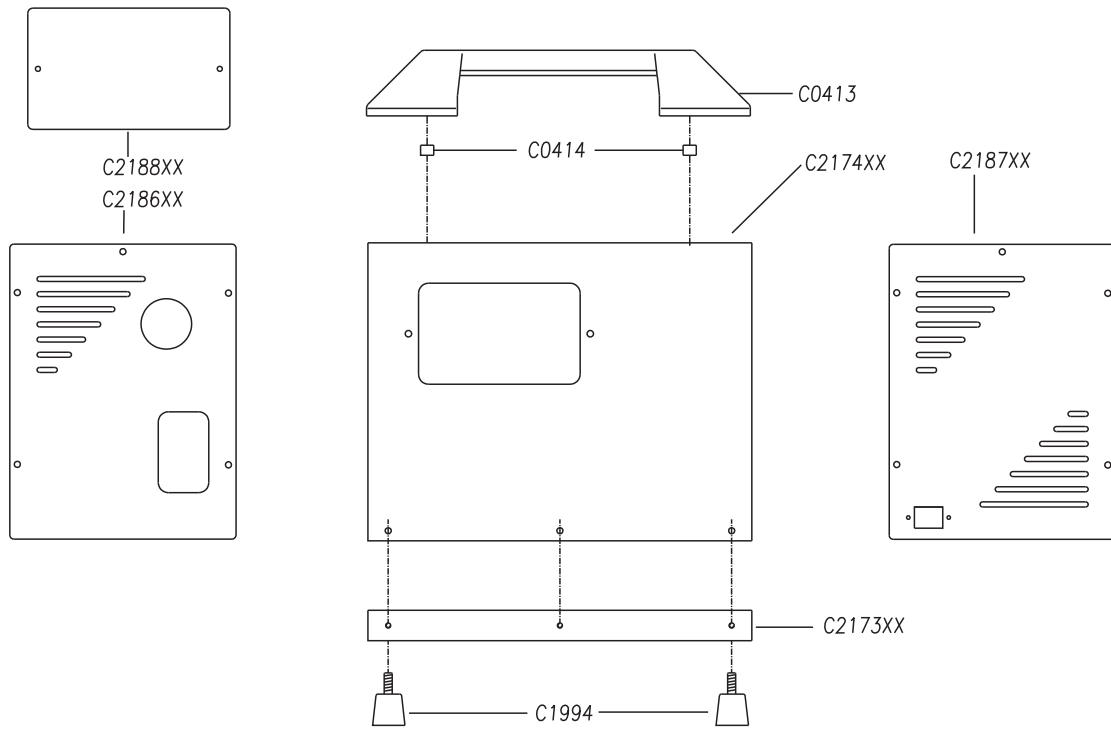
S/N

JAHR

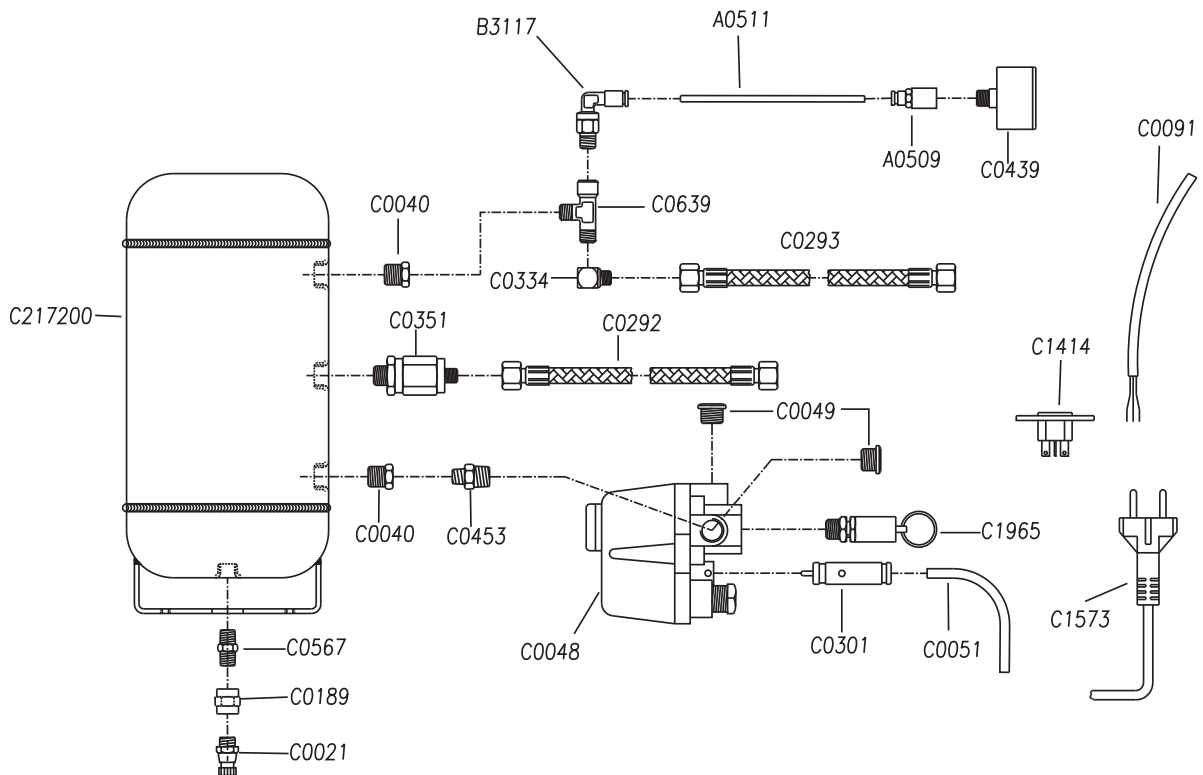


PARTI DI RICAMBIO
SPARE PARTS
PIÈCES DE RECHANGE
ERSATZTEILLISTE
PIEZAS DE RECAMBIO

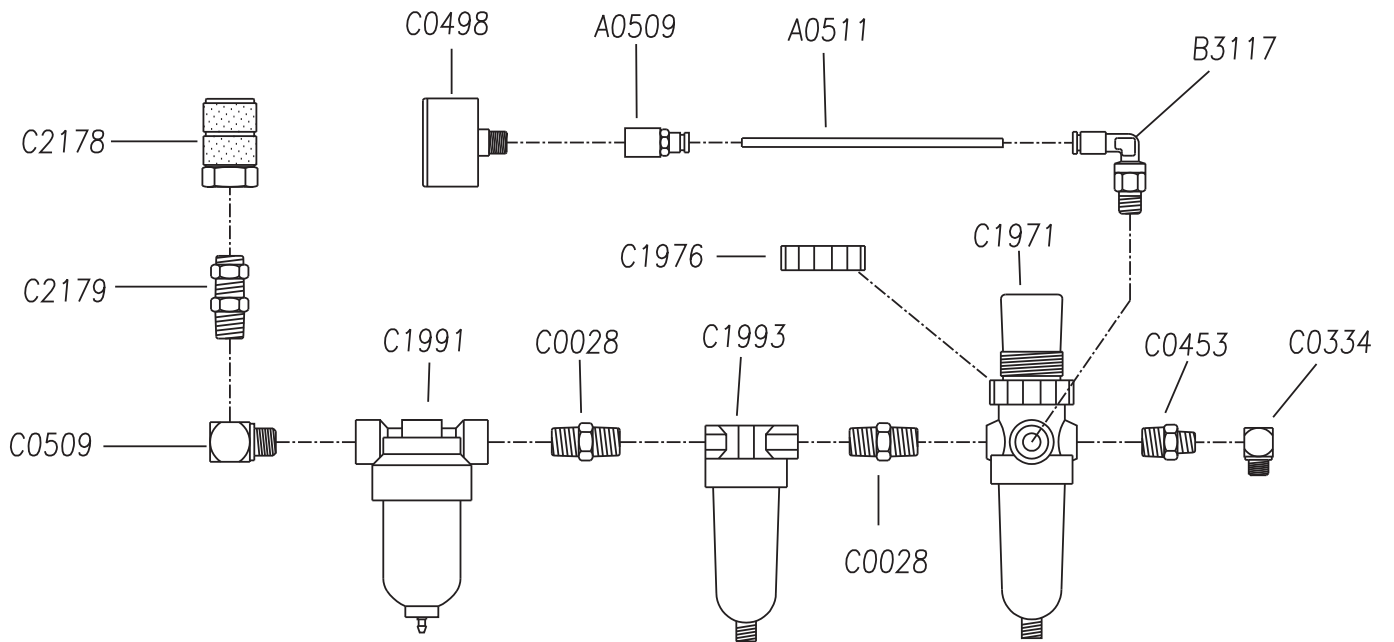
TELAIO - FRAME - GESTELL - CHASSIS - BASTIDOR



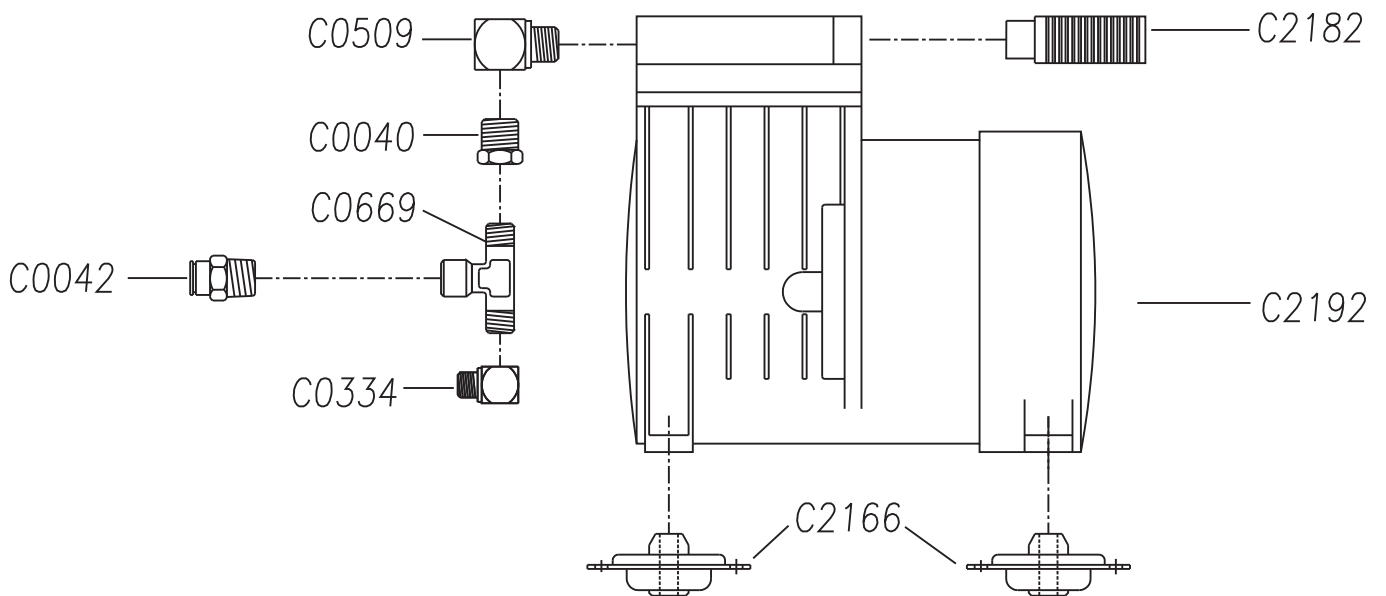
SERBATOIO E PRESSOSTATO - TANK AND PRESSURE SWITCH - BEAHELTER UND ZWEIPOLIGER-RESERVOIR ET PRESSOSTAT - DEPOSITO Y PRESOSTATO



FILTRI - FILTER - FILTER - FILTRE - FILTRO



MOTORE - MOTOR - ELEKTRO-MOTOR - MOTEUR - MOTOR ELECTRICO



Part Code	Sugg	Descrizione	Description	Beschreibung	Description	Denominacion
A0509		RACCORDO DIRITTO FEMMINA G 1/8 " - Ø4X2	FEMALE STRAIGHT FITTING G 1/8"Ø4/2	GERADER MUTTERANSCHLUSS G1/8"-Ø4X2	RACCORD DROIT FEMELLE G 1/8 " - Ø4X2	UNIÓN RECTA HEMBRA G 1/8 " - Ø4X2
A0511		TUBO RILSAN 4 L=30	RILSAN PIPE Ø4X2	RILSAN-SCHLAUCH Ø4X2	TUYAU RILSAN Ø4X2	TUBO RILSAN Ø4X2
B3117		RACCORDO "L" GIREV.M 1/8X4	"L" CONNECTION		RACCORD	CONEXION "L"
C0021		RUBINETTO SPURGO M 1/8"	DRAINCOCK M 1/8"	ABLAßHAHN M 1/8"	ROBINET DE VIDANGE M 1/8"	LLAVE DE PURGA M 1/8"
C0028		NIPPLO M1/4	NIPPLE M1/4	RACCORD FILETÉ M1/4	NIPPEL M1/4	NIPLE M1/4
C0040		RIDUZIONE M-F 1/4"X1/8"	REDUCTION M-F 1/4 X 1/9	REDUKTION G1/4" - G 1/8"	RÉDUCTEUR M/F G 1/4" - G 1/8"	REDUCCIÓN M/F G 1/4" - G 1/8"
C0042		RACCORDO RAP.DIR.M 1/8X6	QUICK MALE CONNECTION 1/8" X PIPE 6	SCHNELLANSCHLUß 1/8 X SCHLAUCH 6	RACCORD RAPIDE 1/8" X TUYAU 6	CONEXION RAPIDA M 1/8X6
C0048		PRESSOSTATO BIPOLARE 4 VIE 230V	BIPOLE PRESSURE SWITCH 4 WAYS 230V	ZWEIPOLIGER 4-WEGE-DRUCKWÄCHTER	PRESSOSTAT BIPOLAIRE 4 VOIES 230V	PRESÓSTATO 4 VIE 230V
C0049		TAPPO M1/4	PLUG M1/4	STÖPSEL M1/4"	BOUCHON M 1/4	TAPÓN G 1/4"
C0051		TUBO RILSAN Ø4/6	RYLSAN HOSEØ4/6	SCHLAUCH 6X4	TUYAU RILSAN D.6X4	TUBO RILSAN Ø6X4
C0068		CAVO EL H05VVF 3X0,75 L2000 SPINA EU	ELECTRIC CABLE H05VVF 3X0,75 L2000 EU PLUG	KABEL	CÂBLE ÉLECTRIQUE	CABLE
C0088		MANOMETRO P Ø40 1/8 10 BAR	P. GAUGE Ø40 1/8 10 BAR	MANOMETER P Ø40 1/8 10 BAR	MANOMÈTRE P Ø40 1/8 10 BARS	MANÓMETRO POST Ø40 1/8 10 BAR
C0091		CAVO EL MM 500	ELECTRIC CABLE MM 500	ELEKTR. KABEL MM 500	CÂBLE ÉLECTRIQUEE	CABLE
C0182		CAVO EL MM 500 (CODICE C182)	ELECTRIC CABLE MM 500		CÂBLE ÉLECTRIQUE	CABLE
C0189		MANICOTTO F-F 1/8	COUPLING F-F 1/8	MUFFE F-F 1/8	MANCHON F-F 1/8	MANGUITO F-F 1/8
C0292		TUBO ARIA MM 260 1/8FX1/8F GIREVOLE	AIR PIPE MM 260 1/8FX1/8F ROTABLE	LUFTSCHLAUCH	TUYAU AIR	TUBO
C0293		TUBO ARIA MM 300 1/8FX1/8F GIREVOLE	AIR PIPE MM 300 1/8FX1/8F ROTABLE	LUFTSCHLAUCH MM 300 1/8FX1/8F	TUYAU AIR	TUBO
C0301		VALVOLA SCARICO	EXHAUST VALVE	ABLASSVENTIL	SOUPAPE ÉVACUATION	VÁLVULA DESCARGA
C0334		RIPARTITORE "L" M-F 1/8 CH13	DISTRIBUTION FRAME "L" M-F 1/8 CH13	VENTIL	DISTRIBUTEUR	DISTRIBUIDOR
C0351		VALVOLA DI LINEA M-M 1/4X1/8	LINE VALVE M-M 1/4X1/8	VENTIL M-M 1/4X1/8	SOUPAPE M-M 1/4X1/8	VÁLVULA M-M 1/4X1/8
C0413		MANIGLIA MOD. COMPACT	HANDLE MOD. COMPACT	HANDGRIFF	POIGNEE	ASA
C0414		INSERTO MANIGLIA MOD. COMPACT	HANDLE INSERT MOD. COMPACT			
C0439		MANOMETRO P CON COLLARE Ø50 MM.1/8" 0+10 BAR	R. GAUGE Ø50 MM.1/8" 0+10 BAR	HINTERE MANOMETER Ø50 MM.1/8" 0+10 BAR	MANOMÈTRE Ø50 MM.1/8" 0+10 BAR	MANOMETRO Ø50 MM.1/8" 0+10 BAR
C0453		RIDUZIONE M-M 1/4X1/8	REDUCTION M-M 1/4X1/8	REDUKTION M-M 1/4X1/8	RÉDUCTION M-M 1/4X1/8	REDUCCIÓN M-M 1/4X1/8
C0498		MANOMETRO P CON COLLARE D 40 1/8 0-10 BAR	GAUGE			
C0509		RIPARTITORE "L" 2 VIE M-F 1/4	2 LINE DISTRIBUTION "L	2-WEG-VENTIL	DISTRIBUTEUR	DISTRIBUIDOR DE 2 VIAS
C0567		NIPPLO 1/8"	NIPPLE 1/8"	NIPPEL 1/8"	NIPPLO 1/8"	NIPLE 1/8"
C0639		RACCORDO "T" F-M-M 1/8	"T" CONNECTION F-M-M 1/8		RACCORD EN T FMF 1/8X6	
C0669		RACCORDO "T" M-F-M 1/8"	"T" CONNECTION		RACCORD EN T M-F-M 1/8"	CONEXION
C1414		SPINA DA INCASSO TRIPOLARE	PIN	STIFT	TIGE	PASADOR
C1573		CAVO EL 3X1 MT2,5 SHUKO CCE	ELECTRIC CABLE	ELEKTR. KABEL	CÂBLE ÉLECTRIQUE	CABLE
C1965	*	VALVOLA SIC.1/4 10BAR+AN.CAT2	VALVE	VENTIL	SOUPAPE	VALVULA

C1971		RIDUTTORE FILT.TAZ.MET.SC.M.	FILTER REGULATOR	REGLER FILTER	RÉDUCTEUR FILTRE	REDUCTOR FILTRO
C1976		GHIERA PLASTICA X RIDUT.FILTRO	PRESSURE REDUCER PLASTIC NUT			
C1991		FILTRO CARBONI ATTIVI	FILTER	FILTER	FILTRE	FILTRO
C1993		FILTRO ANTIOL.COAL.TAZ.ME.SC.M	FILTER	FILTER	FILTRE	FILTRO
C1994		PIEDINO GOMMA M6 50D"	SUPPORT			
C2166		AMMORTIZZATORE				
C217200		SERBATOIO L3,5 D130 3F 1/4GZ INOX	AIR RECEIVER			
C2173XX		BASE AA071 BUCCIATO	AA071 BASE			
C2174XX		CAREN.AA071 BUCCIATO	AA071 COVERING			
C2178		ATTACCO RAP.TEDESCO F 1/4	FAST COUPLING			
C2179		PASSAPARETE M 1/4 AA071	CROSS WALL FITTING			
C2182		FILTRO ASPIRAZIONE AA071	AA071 INTAKE FILTER			
C2186XX		PANNELLO ANTER.AA071BUCCIATO				
C2187XX		PANNELLO POST.AA071BUCCIATO				
C2188XX		PANNELLO LATER.AA071 BUCCIATO				
C2192		COMPRES.A PISTONE 230/50HZ	OILESS MOTOR			
Z_RICAMBI		* = RICAMBI CONSIGLIATI	* = RECOMMENDED SPARE PARTS	* = EMPFOHLENE E-TEILE	* = PIECES DE RECHANGE CONSEILLEES	* = REPUESTOS ACONSEJAIOS