

**Catalogo parti di ricambio
Spare parts catalogue
Ersatzteilkatalog
Catalogue pieces detachees
Catalogo de repuestos**

Model:..... **COMPACT 106 R**

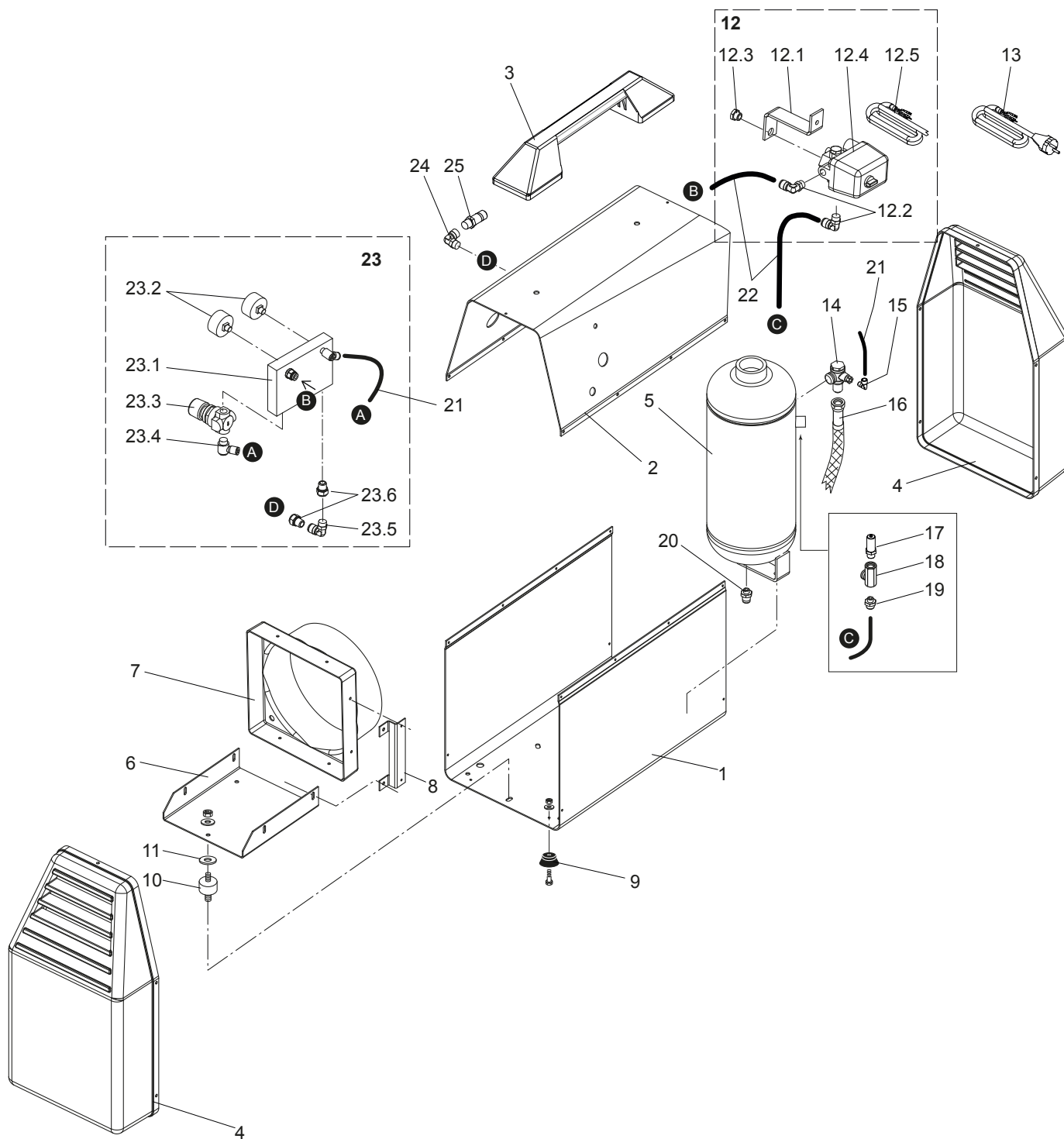
Code:..... **11214700330**

Valid from: **01/06/2017**

INDEX

Table	Model	pag.
1	COMPACT 106_02	4
2	GMS100_02	6
3		
4		
5		
6		
7		
8		
9		
10		

Model: COMPACT 106 R
Code: 11214700330
Valid from: 01/06/2017
Tav.: **COMPACT 106_02**



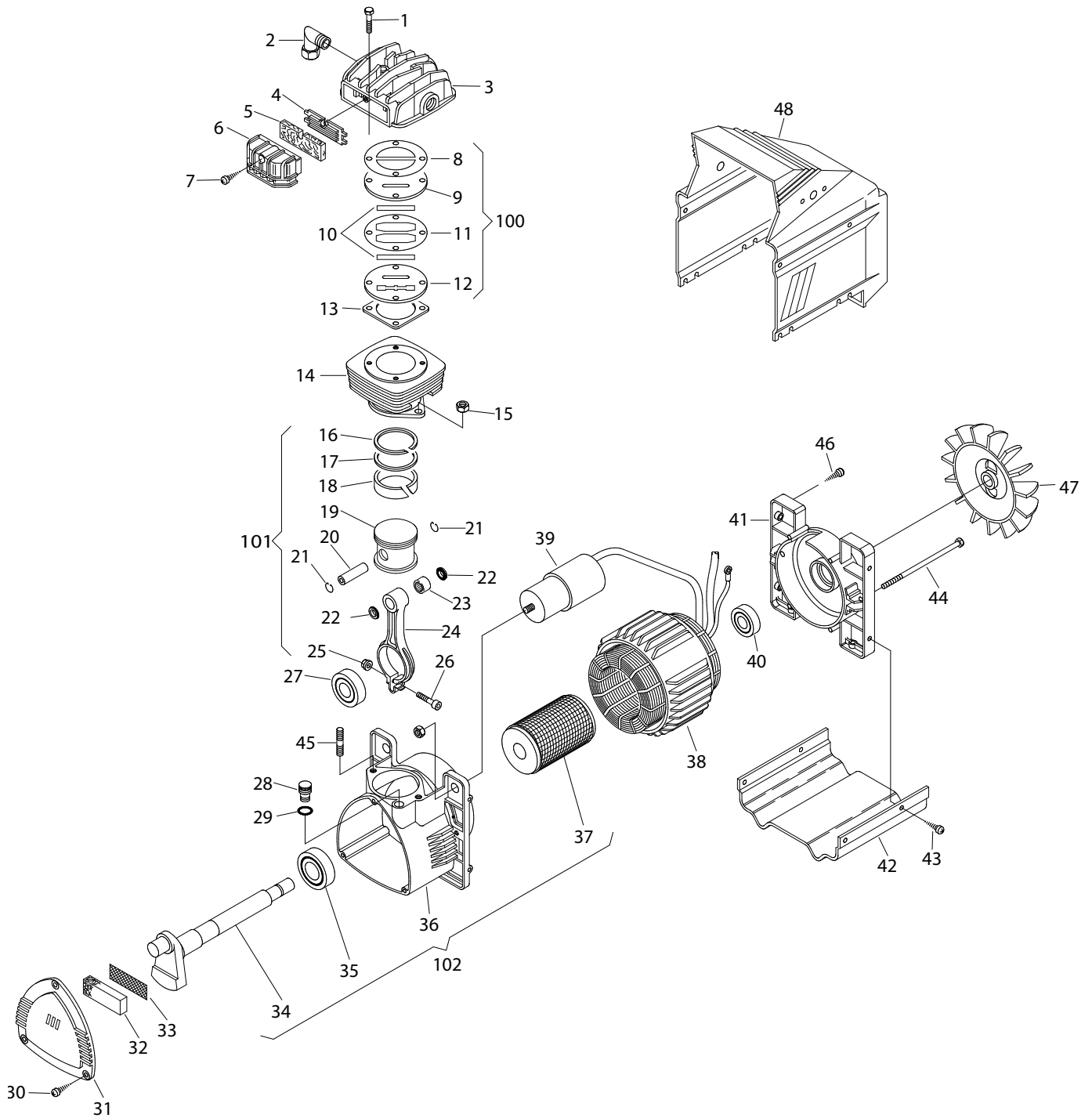
Model: COMPACT 106 R
 Code: 11214700330
 Valid from: 01/06/2017
 Tav.: COMPACT 106_02

N°	Code	Q.ty	Q.ty*	Description	N°	Code	Q.ty	Q.ty*	Description
1	1125160320	1		GUSCIO INFERIORE SHELL	23.4	1127080081	1		RACCORDO FITTING
2	1125160321	1		GUSCIO SUPERIORE SHELL	23.5	1127080018	1		RACCORDO FITTING
3	1127280006	1		MANOPOLA KNOB	23.6	1127080523	2		RACCORDO FITTING
4	1127150022	2		CARTER LATERALE CRANKCASE	24	1127080018	1		RACCORDO FITTING
5	1125150488	1		SERBATOIO TANK	25	1127130057	1		RUBINETTO LINEA TAP
6	1125010088	1		BASE BASE PLATE	100	1127210331	1		KIT INSONORIZZANTE KIT
7	1127150301	1		CONVOGLIATORE CONVEYOR					
8	1125160050	2		SQUADRETTO BRACKET					
9.	X	4		PIEDE IN GOMMA RUBBER FOOT					
10	1127360417	3		ANTIBIVIBRANTE TRADUZIONE MANCANTE					
11	1127030809	3		DISTANZIALE SPACER					
12	1124050233	1		KIT PRESSOSTATO PRESS. SWITCH KIT					
12.1	1125160051	1		STAFFA BRACKET					
12.2	1127080500	2		RACCORDO FITTING					
12.3	1127090007	1		TAPPO PLUG					
12.4	1127250036	1		PRESSOSTATO PRESSURE SWITCH					
12.5	1127320941	1		CAVI COLLEGAMENTO TRADUZIONE MANCANTE					
13	1127320877	1		CAVO ALIMENTAZIONE POWER CABLE					
14	1127190004	1		VALV RITEGNO TRADUZIONE MANCANTE					
15	1127080078	1		RACCORDO FITTING					
16	1127230417	1		TUBO FLEX PIPE					
17	1127190202	1		VALVOLA DI SIC. RELIEF VALVE					
18	1127080295	1		RACCORDO FITTING					
19	1127080429	1		RACCORDO FITTING					
20	1127130009	1		RUBINETTO SPURGO DISCHARGE TAP					
21	1127230001	1		TUBO RILSAN RILSAN TUBE					
22	1127230002	1,3		TUBO RILSAN RILSAN TUBE					
23	1124120017	1		KIT RIDUTTORE PRESS. KIT					
23.1	1127510705	1		DISTRIBUTORE DISTRIBUTOR					
23.2	1127110028	2		MANOMETRO PRESSURE GAUGE					
23.3	1127100012	1		RIDUTTORE DI PRESSIONE PRESSURE REDUCER					

Q.ty = Quantità unitaria / Single unit quantity / Quantité unitaire / Cantidad unitaria / Einzeleinheitsmenge

Q.ty* = Ricambi consigliati in percentuale / Suggested spare parts in percentage / Pièces de rechange suggérées en pourcentage / Piezas de repuesto sugeridas en porcentaje / Vorgeschlagene Ersatzteile in Prozent

Model: COMPACT 106 R
 Code: 11214700330
 Valid from: 01/06/2017
 Tav.: **GMS100_02**



Model: COMPACT 106 R
 Code: 11214700330
 Valid from: 01/06/2017
 Tav.: GMS100_02

N°	Code	Q.ty	Q.ty*	Description	N°	Code	Q.ty	Q.ty*	Description
1	1127010122	4		VITE SCREW	44	1127010801	2		TIRANTE TIE-ROD
2	1127080404	1		RACCORDO FITTING	45	1127010502	2		PRIGIONIERO STUD BOLT
3	1129100071	1		TESTA HEAD	46	1127010306	1		VITE SCREW
4	1127450834	1		PIASTRINA FILTRO PLATE	47	1127200007	1		VENTOLA FAN
5	1127210001	1		ELEMENTO FILTRANTE FILTER CARTRIDGE	48	1127150042	1		CARENATURA HOUSING
6	1127210043	1		FILTRO ASPIRAZIONE INTAKE FILTER	100	1124080264	1		KIT PIASTRE/VALVOLE KIT
7	1127010210	1		VITE SCREW	101	1124190114	1		KIT BIELLA/PISTONE CON ROD-PISTON KIT
09-12	1127450951	2		PIASTRA PORTAVALVOLE VALVE HOLDER PLATE	102	1120003286	1		GRUPPO CARTER/ALBERO/ROTORE ROTOR/CRAKCASE/SHAFT KIT
10	1124080103	1		KIT VALVOLE VALVE KIT	103	1124080209	1		KIT GUARNIZIONI (8-11-13) GASKETS KIT
14	1127570503	1		CILINDRO CYLINDER	104	1124190032	1		GRUPPO BIELLA (22-23-24-25-26) unit
15	1127020007	2		DADO NUT	105	1124080004	1		KIT SEGMENTI (16-17-18) PISTON RING KIT
19	1127220030	1		PISTONE PISTON					
20	1127050005	1		SPINOTTO GUDGEON PIN					
21	1127040101	2		ANELLO RING					
27	1127060014	1		CUSCINETTO BEARING					
28	1127090801	1		TAPPO SFIATO PLUG					
29	1127070007	1		GUARNIZIONE GASKET					
30	1127010206	3		VITE SCREW					
31	1127150101	1		COPERCHIO CARTER CASING COVER					
32	1127210012	1		ELEMENTO FILTRANTE FILTER CARTRIDGE					
33	1127450803	1		PIASTRINA FILTRO PLATE					
34	1125040029	1		ALBERO A GOMITO CRANKSHAFT					
35	1127060065	1		CUSCINETTO BEARING					
36	1125070032	1		CARTER CRANKCASE					
37	1125090033	1		ROTORE ROTOR					
38	1124010008	1		CARCASSA MOTORE CASING					
39	1127310010	1		CONDENSATORE 20 MF CAPACITOR					
40	1127060064	1		CUSCINETTO BEARING					
41	1125110006	1		CALOTTA COVER					
42	1127170037	1		BASE BASE PLATE					
43	1127010229	4		VITE SCREW					

Q.ty = Quantità unitaria / Single unit quantity / Quantité unitaire / Cantidad unitaria / Einzeleinheitsmenge

Q.ty* = Ricambi consigliati in percentuale / Suggested spare parts in percentage / Pièces de rechange suggérées en pourcentage / Piezas de repuesto sugeridas en porcentaje / Vorgeschlagene Ersatzteile in Prozent